

# BMQ

# Pelletizing Solutions

## APPLICATION

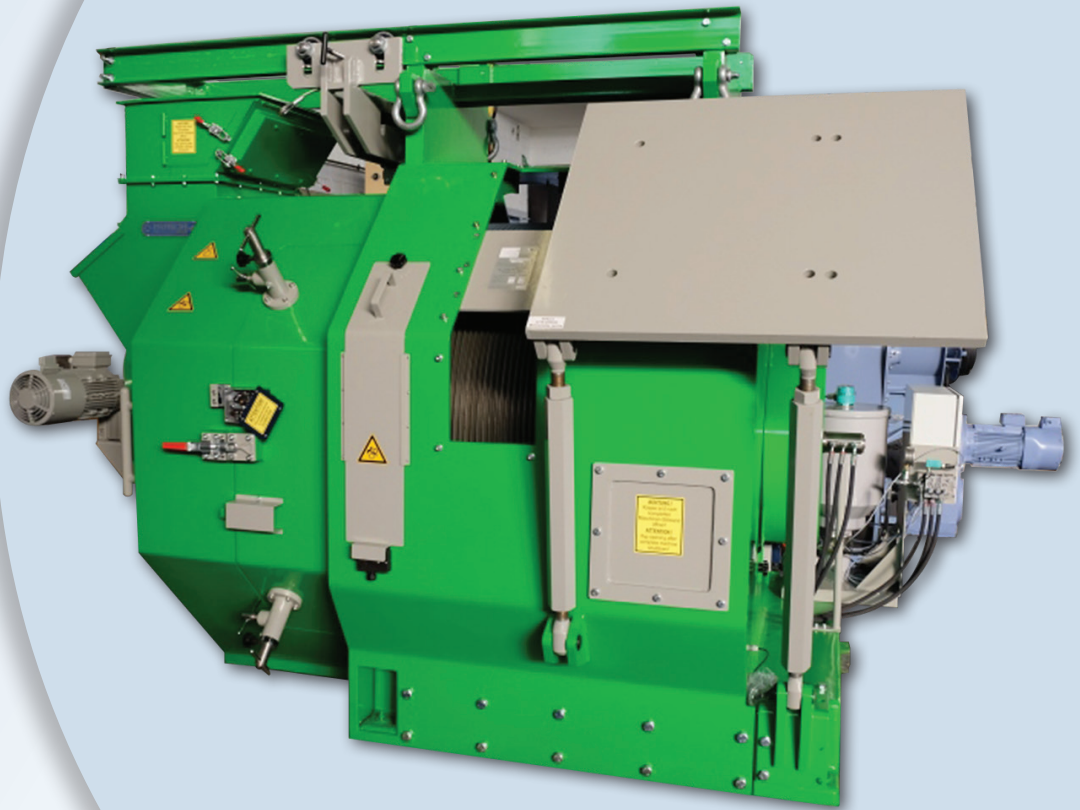
The 850 Pellet Mill has a capacity of 20-35 tons of pellets per hour on feed products. It is designed specifically for large commercial scale pellet production. Pelletizes agricultural by-products such as corn stover, manure, grasses, hemp, and a range of other feed products.

## FEATURES

- Maximum Efficiency
- Easy to Operate and Maintain
- Low Cost Operation
- Range of Die Sizes
- Heavy-Duty Rigid Construction
- Small Foot Print
- Low Cost

## OPTIONS

- Pre-Pellet Bin
- Range of Die Sizes
- Dust Collection Systems
- Engineering and Material Handling Equipment
- Turn-Key Installation and Start-Up



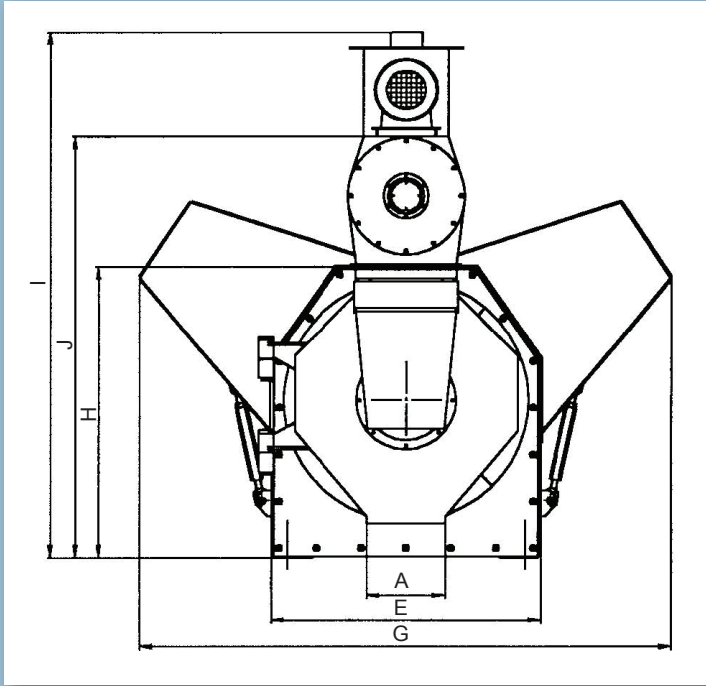
# 850 Pellet Mill

[www.bmqinc.com](http://www.bmqinc.com)

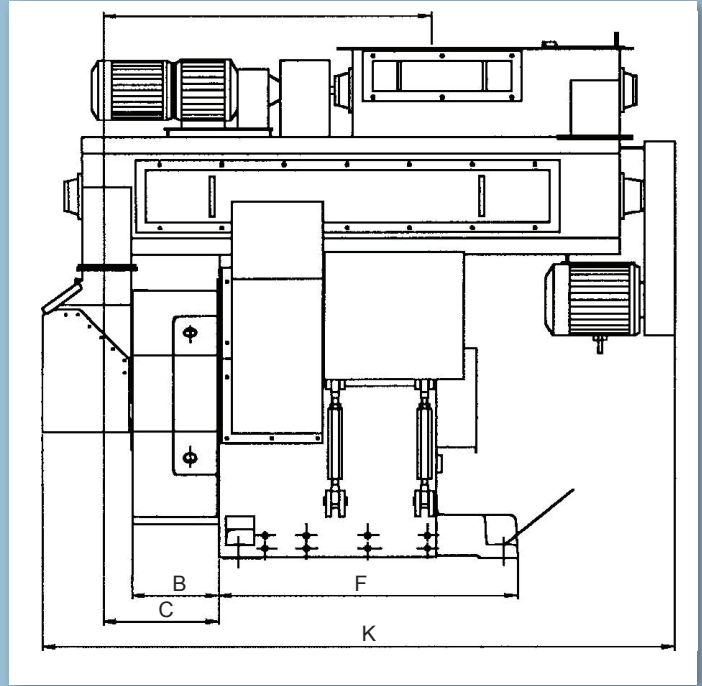
# BMQ

BMQ, Inc.  
209 Quality Avenue, Ste 9  
New Albany, IN 47150  
Phone: (812) 923-4992

# 850 Pellet Mill



front view



side view

## SPECIFICATIONS

Mill Specifications	Feed
1. Capacity to/h (max.)	25 - 30
2. HP Mill	2 x 175
3. HM Mixer	20
4. HP Feeder	4
5. Weight (Tons)	12.3

## DIMENSIONS (IN INCHES)

Mill Model	850	F	55.25
A	24	G	100
B	23.75	H	69
C	30.25	I	119.25
D	68.5	J	101.5
E	68.75	K	119.25

[www.bmqinc.com](http://www.bmqinc.com)

# BMQ

BMQ, Inc.  
209 Quality Avenue, Ste 9  
New Albany, IN 47150  
Phone: (812) 923-4992